

PROPELLER SHAFT

OUTLINE 8— 2
OUTLINE OF CONSTRUCTION 8— 2
SPECIFICATIONS..... 8— 2

67U08X-501

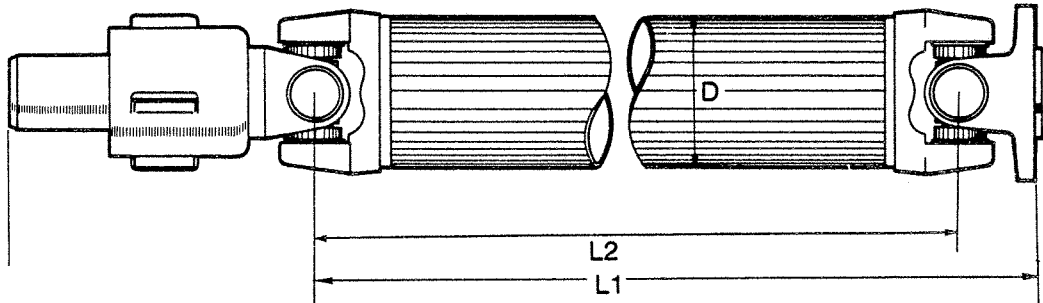
OUTLINE

OUTLINE OF CONSTRUCTION

The construction is the same as the previous model except the outer diameter and length of propeller shaft have been changed to reduce the vibration and noise.

SPECIFICATIONS

Item		Manual transmission		Automatic transmission	
		New model	Previous model	New model	Previous model
Length L1	mm (in)	967 (38.07)	1,153 (45.39)	913 (35.94)	1,153 (45.39)
Length L2	mm (in)	782 (30.79)	968 (38.11)	733 (28.86)	968 (38.11)
Outer diameter	mm (in)	75 (2.95)	65 (2.56)	57 (2.24)	65 (2.56)



67U08X-502