

# 1989 Mazda RX-7 Factory Service Manual

This Online/PC version of the Manual has been brought to you by “Scott 89t2” and [www.1300cc.com](http://www.1300cc.com)

Thanks to those who are hosting it for me.



Some parts of the manual may be hard to read or see on the screen, but if you print the pages out it's perfect. Well except for the crookedness ☺.

**\*Terms of Use:** This online/PC copy of the manual is only to be used and in your possession if you already own the printed version. It is for backup purposes only in case yours (or part of) is lost or damaged. If you downloaded this manual by mistake, Please Remove it from your possession. I also take no responsibility for what you do to yourself or your car while you use this manual.

# PROPELLER SHAFT

**OUTLINE** ..... L- 2  
    SPECIFICATIONS ..... L- 2  
**TROUBLESHOOTING GUIDE** ..... L- 2  
**PROPELLER SHAFT** ..... L- 2  
    PREPARATION ..... L- 2  
    REMOVAL, INSPECTION, AND  
    INSTALLATION..... L- 3

97U0LX-001

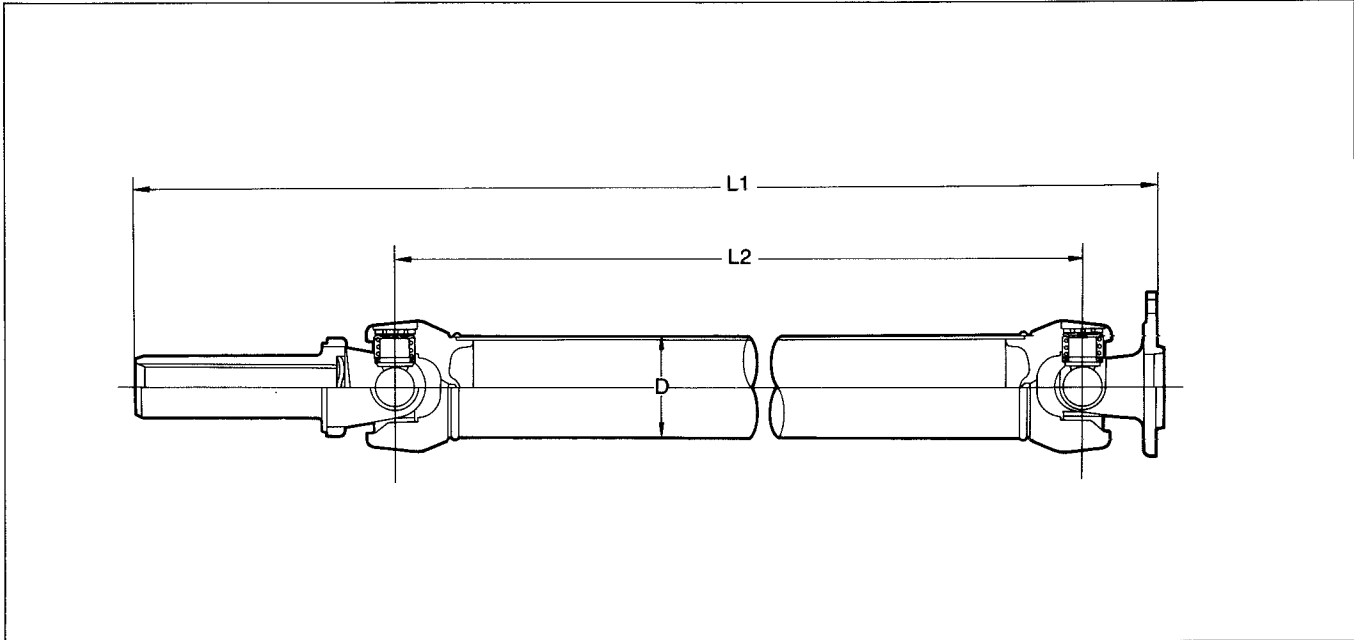


# L OUTLINE, TROUBLESHOOTING GUIDE, PROPELLER SHAFT

## OUTLINE

### SPECIFICATIONS

Model		Non-Turbo		Turbo		
		M/T	A/T	M/T	A/T	
Length	mm (in)	L1	967 (38.07)	913 (35.94)	966 (38.03)	—
		L2	782 (30.79)	733 (28.86)	774 (30.47)	—
Outer diameter	mm (in)	D	57 ( 2.24)	57 ( 2.24)	75 ( 2.95)	—



97U0LX-002

## TROUBLESHOOTING GUIDE

Problem	Possible Cause	Action	Page
<b>Vibration</b>	Worn universal joint	Replace	L-3
	Bent propeller shaft	Replace	L-3
	Worn slip yoke splines	Replace	L-3
	Runout of propeller shaft	Replace	L-3
<b>Abnormal noise</b>	Worn or damaged universal joint	Replace	L-3
	Worn slip yoke splines	Replace	L-3

97U0LX-003

## PROPELLER SHAFT

### PREPARATION

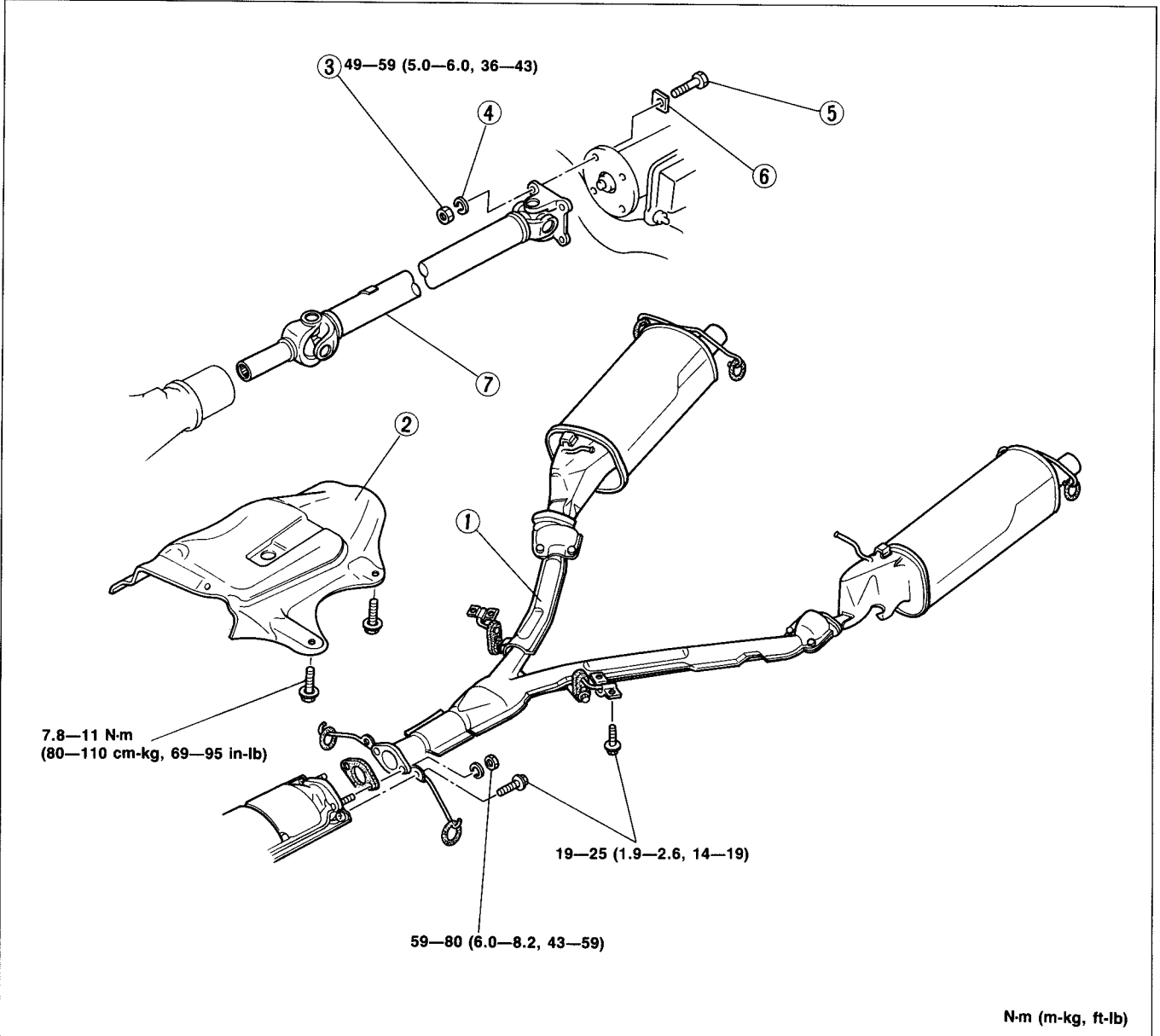
#### SST

49 S120 440 Holder, main shaft (Turbo, Non-Turbo A/T)		49 0259 440 Holder, main shaft (Non-Turbo M/T)	
---	--	---	--

97U0LX-004

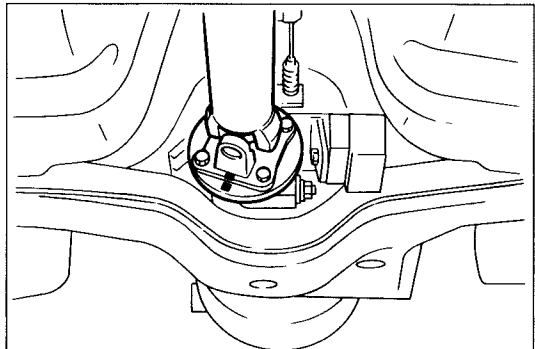
**REMOVAL, INSPECTION, AND INSTALLATION**

Remove in the order shown in the figure, referring to **Removal Note**.  
 Inspect all parts and repair or replace as necessary.  
 Install in the reverse order of removal, referring to **Installation Note**.



97UOLX-005

- |                   |                   |                              |
|-------------------|-------------------|------------------------------|
| 1. Exhaust pipe   | 4. Lock washer    | 7. Propeller shaft           |
| 2. Heat insulator | 5. Bolt           | Removal ..... page L- 3      |
| 3. Nut            | 6. Balance washer | Inspection ..... page L- 4   |
|                   |                   | Installation ..... page L- 4 |

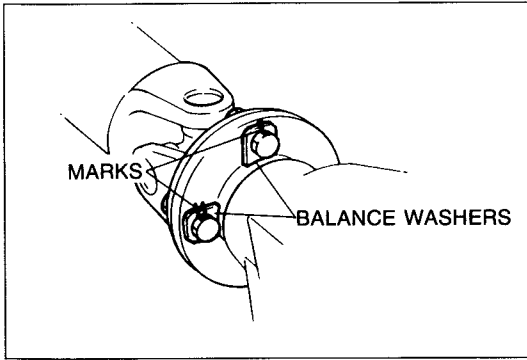


**Removal Note**  
**Propeller shaft**

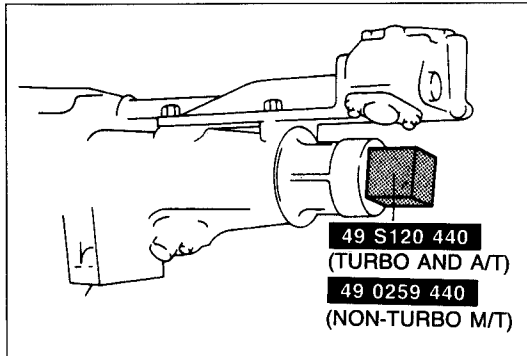
1. Before removing the propeller shaft, mark the flanges for correct reassembly.

9MUOLX-006

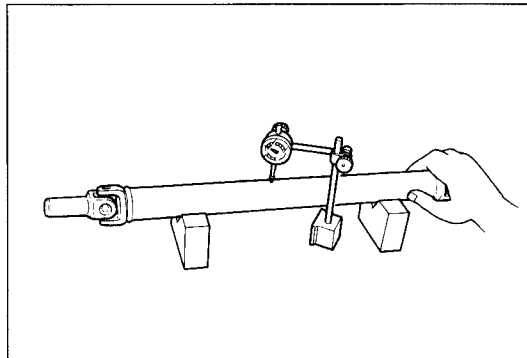
# L PROPELLER SHAFT



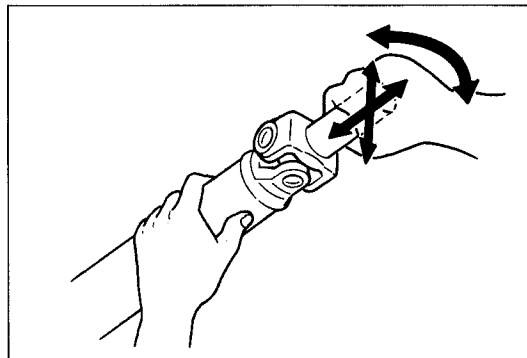
97U0LX-006



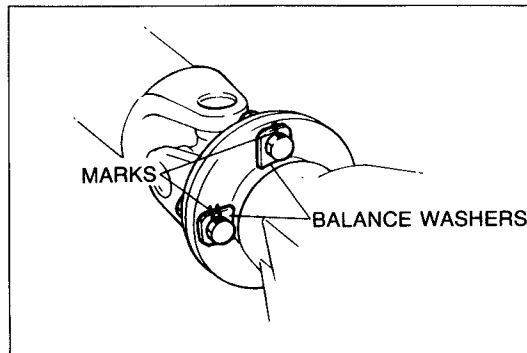
97U0LX-013



97U0LX-007



97U0LX-008



97U0LX-009

2. Mark the balance washers for correct reassembly.

3. When the propeller shaft is removed from the extension housing, immediately install the **SST** to prevent oil leakage.

## INSPECTION

### Propeller shaft

1. Measure the propeller shaft runout with a dial indicator. Replace the propeller shaft if runout is excessive.

**Maximum runout: 0.4mm (0.016 in)**

2. Move the universal joints in the direction shown and check for universal joint play.

If there is play, replace the propeller shaft.

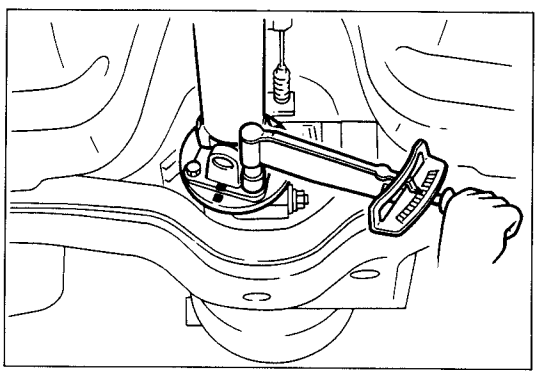
3. Check operation of the universal joint.

If the universal joint has excessive resistance, replace the propeller shaft.

## Installation Note

### Propeller shaft

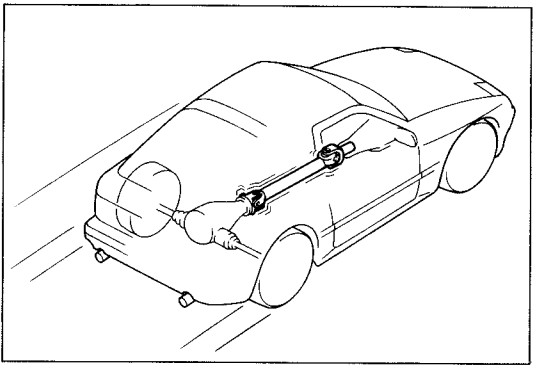
1. Align the marks, and install the balance washers.



97U0LX-010

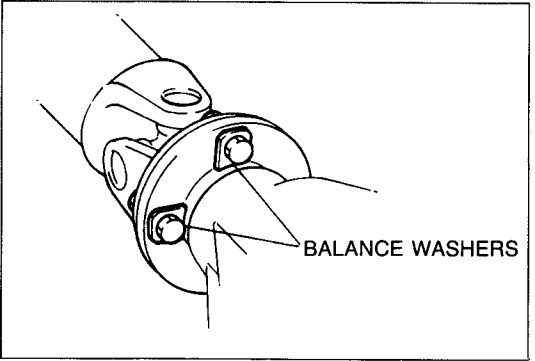
2. Align the marks, and install the propeller shaft.

**Tightening torque:**  
**49—59 N·m (5.0—6.0 m·kg, 36—43 ft·lb)**



97U0LX-011

3. Check that there is no abnormal noise or vibration when driving the vehicle.



97U0LX-012

4. If noise or vibration occurs from the propeller shaft, install or change balance washers on the flange. (Install the washers **90°** to each other if more than one is used.)

<b>Washer weight</b>		g (oz)
2.2 (0.08)	3.4 (0.12)	4.5 (0.16)
5.6 (0.20)		